



Duct Castle

For Engineering Industries

داكت كاسل للصناعات الهندسية

SPECIALISTS
WE INNOVATE



Flexible Duct
Connector
CATALOGUE

PERFECT SOLUTION FOR VIBRATIONS

All air duct installations for heating or ventilation are attached to mechanical equipment containing a fan or blower. This equipment causes vibrations and noises which are transmitted in the metal ducts throughout the installation.

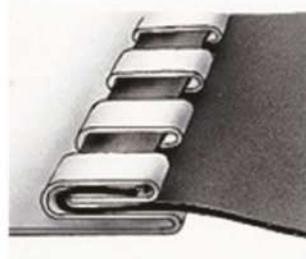


In order to isolate vibrations and noises caused by air handling units, fans and other equipments, it is highly recommended to install an airtight flexible joint between the outlet of the device and the airduct. This joint, consisting of a fabric which is attached to a sheet of metal on both sides is called a « Flexible Duct Connector».

It is necessary to select an airtight and flexible cloth with good weathering qualities and which can withstand temperatures inside and outside the duct. Duct Castle flexible connectors are perfect for this job

FLEXIBLE DUCT CONNECTORS

Duct Castle Seam locks of metal-to-fabrics. That gives a great strength, nothing comparable to classical singlefold methods



for residential or light commercial applications

All **Duct Castle** fabrics flexible duct connectors meet the **SMACNA** specifications for sheet metal ductwork . All **Duct**

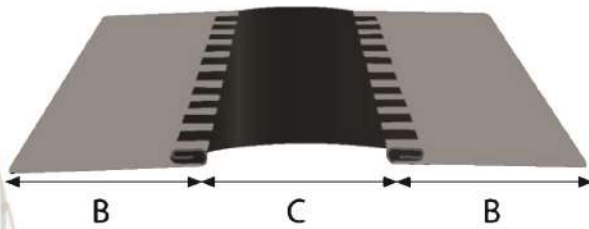
Castle flexible duct connectors are manufactured in **EGYPT**

All **Duct Castle** flexible duct connectors are also available with 304 or 316 stainless steel on request

All **Duct Castle** flexible duct connectors are manufactured with 24 to 28 ga. galvanized steel

FLEXIBLE DUCT CONNECTOR TYPE

0,4 mm (28 ga.) steel thickness (European standard)



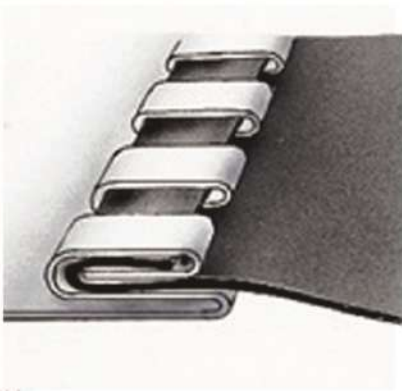
A = thickness of steel : 0,4 mm (28 ga.)

B = steel width

C = fabric width

L = length of roll : 25 m (82 feet)

Others lengths on request



B = STEEL WIDTH		C = FABRIC WIDTH	
45 mm	1-3/4"	60 mm	2-3/8"
		75 mm	3"
		100 mm	4"
		150 mm	6"
70 mm	2-3/4"	75 mm	3"
		100 mm	4"
		150 mm	6"

Bold sizes are standard and other sizes are available on request

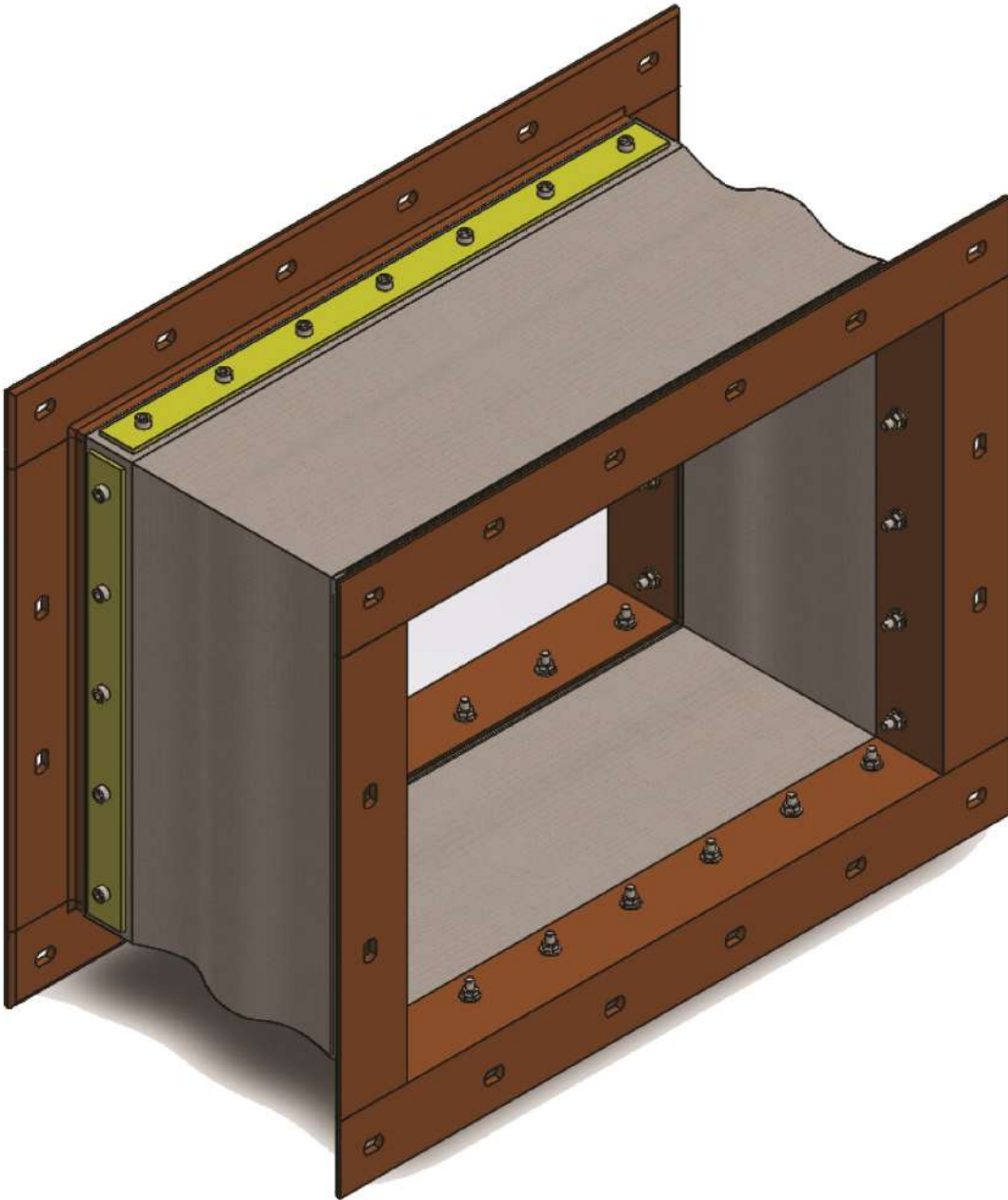
FABRICS

CONSTRUCTION	FABRIC COATING MATERIAL		
	PVC	SILICON	POLY URETHANE
Galvanized Strap	0.4	0.4	0.4
Fabrics Main Material	Polyester	Fiber Glass	Fiber Glass
Color	Black	Gray	Black or Gray
Temperature Range	-30C to +80C	-40C to +250C	-30C to +180C
Fabrics weight	0.490 kg/m ²	0.650 kg/m ²	0.490 kg/m ²
Fire Resistanc	Fire Retardant	Non Flammable	Non Flammable



Duct Castle
For Engineering Industries

FIRE RATED FLEXIBLE DUCT CONNECTOR



FUNCTION

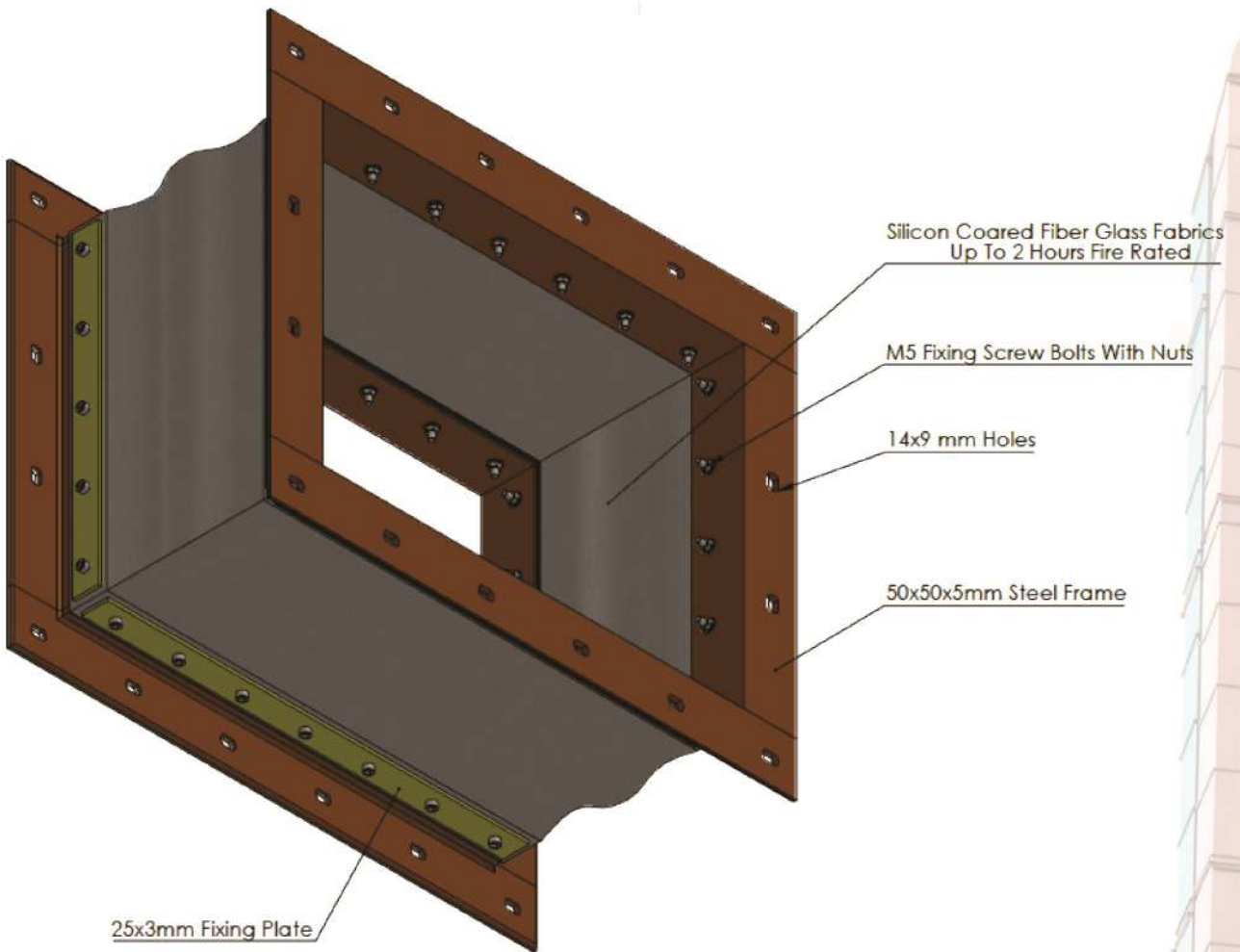
Duct Castle Fire Rated Flexible Duct Connector is perfect solution to avoid vibrations and noises which are transmitted in the metal ducts throughout the installation of duct with Equipments , also can used between duct parts in the Building Expansion Joints with Resisting High tempreture up to 550 C° for 2 hrs depending on Fabrics Material and coating material.



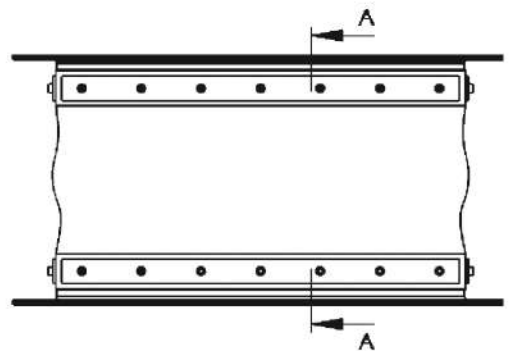
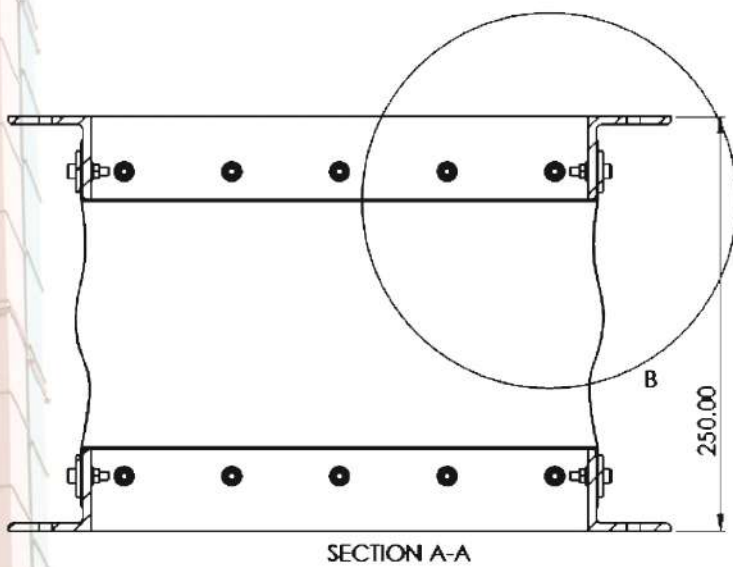
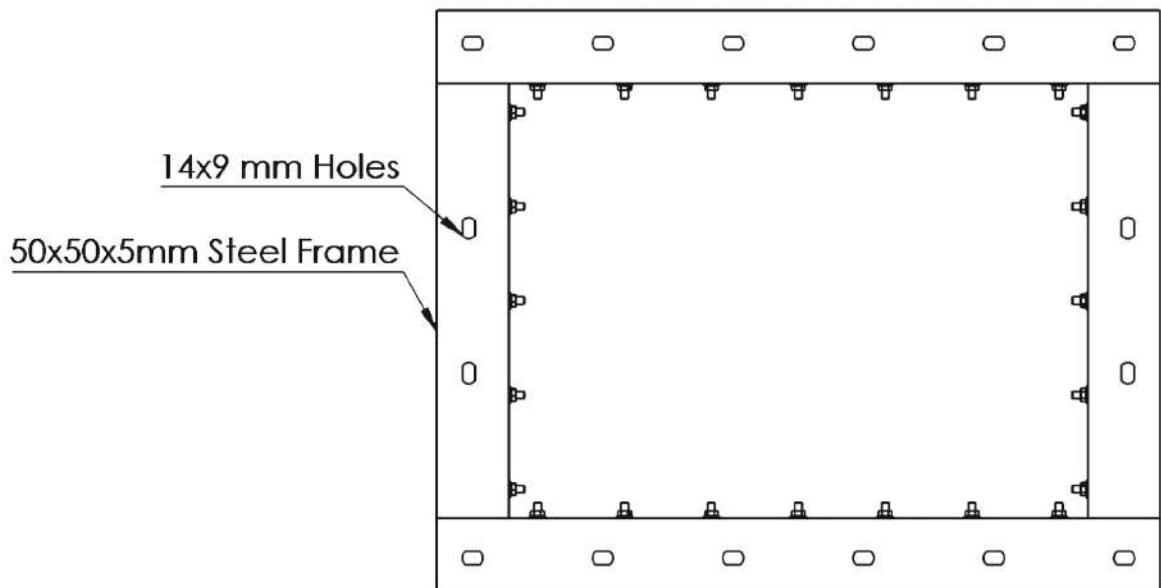


Duct Castle
For Engineering Industries

CONSTRUCTION



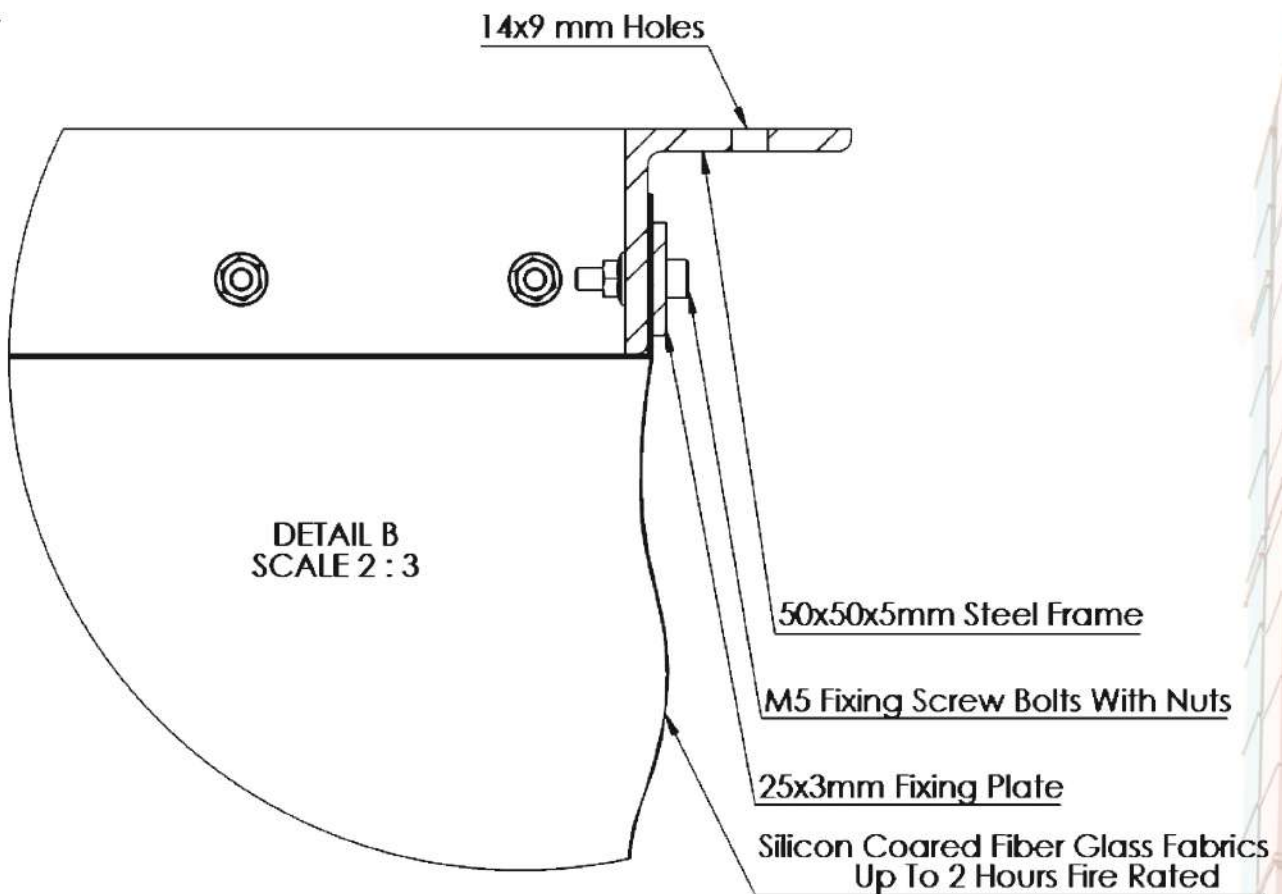
CONSTRUCTION





Duct Castle
For Engineering Industries

CONSTRUCTION



TECHNICAL DATA

Construction	Coating Material			
	Poly Urethane on 2Sides	Silicon on 2 Sides	Polyester Film 1Side	Silicon on 1 Side
Fabrics Main material	Fiber Glass	Fiber Glass	Fiber Glass	Fiber Glass
Connection Method	50x50x5 Steel Angels	50x50x5 Steel Angels	50x50x5 Steel Angels	50x50x5 Steel Angels
Color	Black - Gray	Gray	white - Metallic	Red - Gray
Temperature Range	-30 to 180 C° / 2Hr	-40 to 300 C° / 2Hr	up to 500 C° / 2Hr	up to 550 C° / 2Hr
Thickness mm	0.4 mm	0.4 mm	0.4 mm	0.8 mm
Fabrics Weight / m ²	490 g/m ²	650 g/m ²	520 g/m ²	up to 1100 g/m ²
Fire Resistant	Non Flammable	Non Flammable	Non Flammable	Non Flammable

SPECIALIST SO WE INNOVATE



Duct Castle

For Engineering Industries

Location



Website



Contact



28km, Alex-Cairo Desert Road,
Abu Rawash Industrial Zone, Giza, Egypt.

 www.ductcastle.com

 +20 1273300121 +20 1270139060

 sales@ductcastle.com info@ductcastle.com